

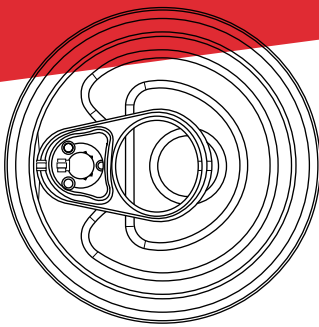


Easy Open Ends Catalogue

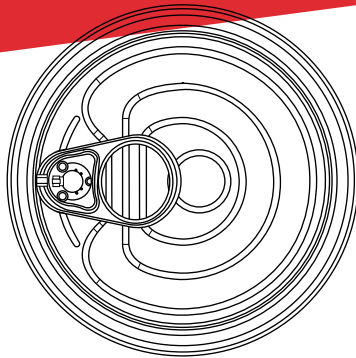
Designed for convenience, safety, and efficiency, our easy open ends allow for quick, and tool-free access while preserving the product's integrity. Manufactured with high-quality materials and in compliance with the most demanding international standards. Available in a variety of diameters and formats to meet the specific needs of each customer.

Round Lids

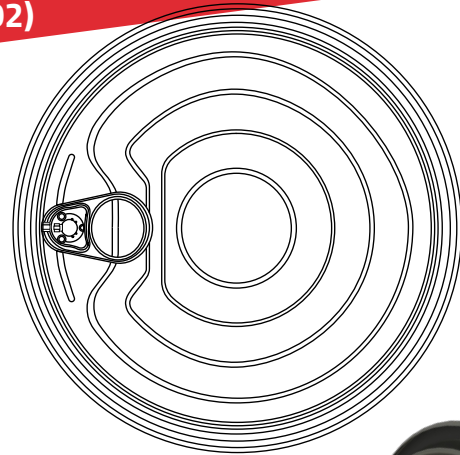
Ø 52,5
(202)



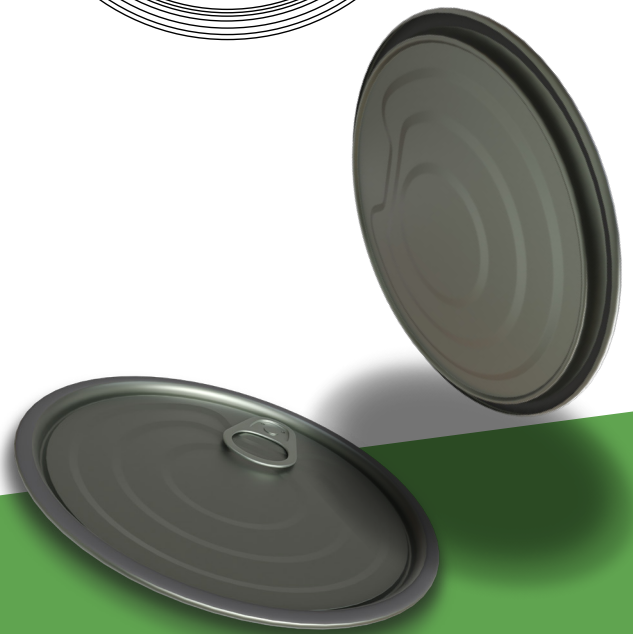
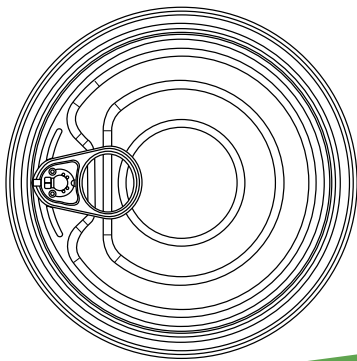
Ø 73,15
(300)



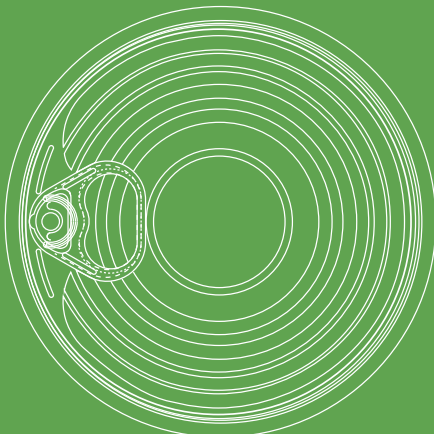
Ø 127
(502)



Ø 99
(401)

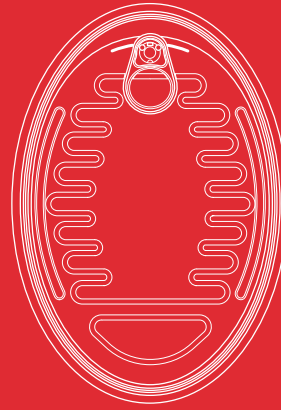


Ø 153,7
(603)

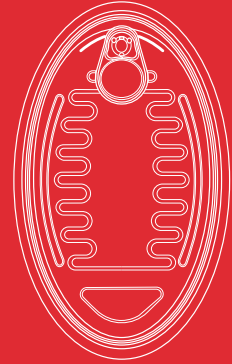


Shape Lids

OVAL LIBRA AMERICANA

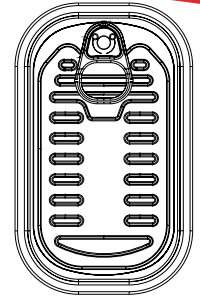
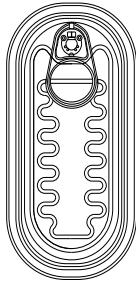


OVAL 1/2 LIBRA AMERICANA



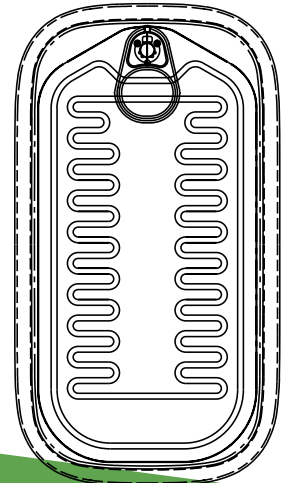
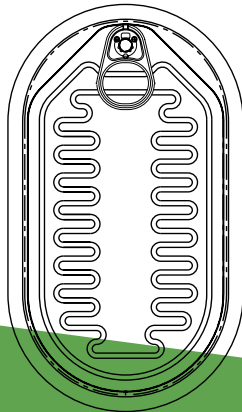
ANCHOA / ANCHOVY

1/4 CLUB



HANSA

ESPÁRRAGO / ASPARAGUS



- ETP or TFS material.
- Outside print: any type of design.
- Inside: PVC free, PFAS free, BPANI.
- Application. suitable for canned food (vegetables, seafood, fruits, meat, pet food).

